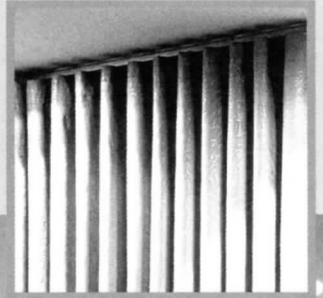


# DRAPERY SYSTEM



*Rippelvald®*



**Kirsch**  
*re*

*Fabrication Guide*  
Updated January, 2007

## RIPPLEFOLD<sup>®</sup> DRAPERY SYSTEM

### *Uniformly Beautiful, Inside and Out*

Soft, ripple-like folds flow smoothly from one end of the track to the other. The effect is gently tailored – suitable for either commercial or residential installations. Master carriers that butt together, and carriers that swivel, eliminate “flat” drapery areas.

Folds are identically beautiful from inside the room or outside the building presenting an architectural advantage. Headings, suspended under the track, cannot tip or sag. They are always perfectly positioned and spaced.

### *Advantages*

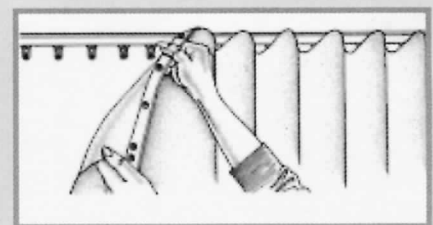
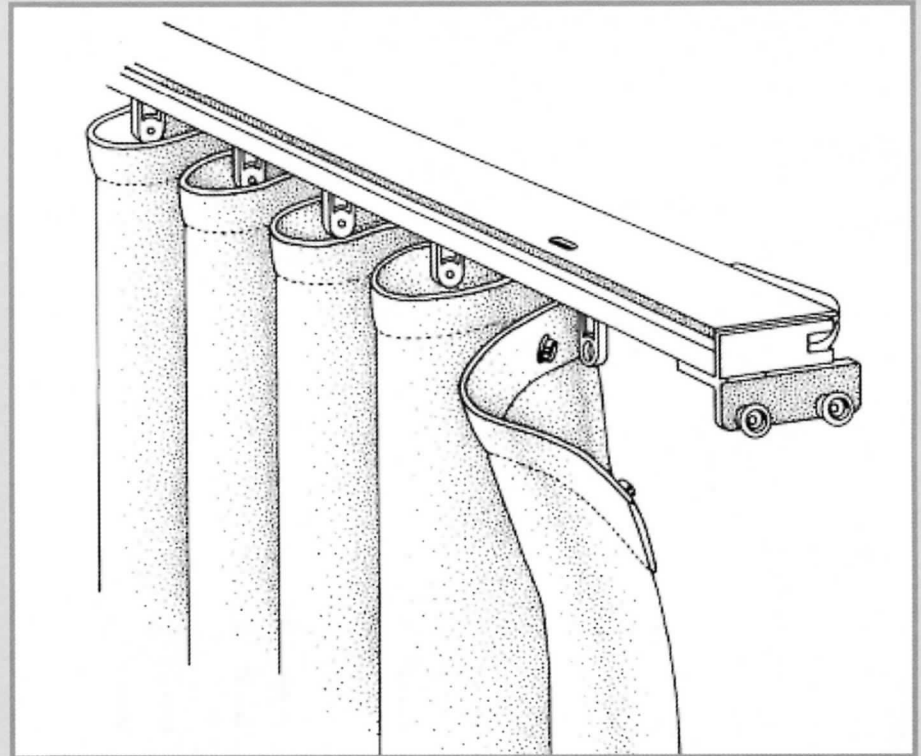
- Minimum track exposure
- Low maintenance
- Easy, economical fabrication

### *How it Works*

The desired style of track system is mounted on wall, ceiling or in recess. Using this fabrication guide for specifications, tape is stitched to flat, hemmed panels of fabric. Panels snap to carriers, creating a graceful, uniform flow of ripple-like folds.

### *Less Stackback, More Light*

Ripple-like folds stack back to very ends of track – actually takes less space than conventionally pleated draperies. More glass is exposed, so more light can come in.



### *Ease and Economy of Fabrication*

Forget pleat stitching! Ripplefold needs only straight hemming. Crinoline is unnecessary. The permanently stiffened nylon snap-tape supports headings through repeated laundering or cleaning. Ripplefold draperies take less fabric per panel than conventionally pleated drapery headings. Not every fabric will look correct with Ripplefold. For best appearance, the drapery fabric should be compatible with the heading system. If in doubt, a sample drapery should be made up and installed to check appearance.

Fabric requirements are also easier to figure because there is only one spacing on snap-tape. Follow the chart on page 6.

### *Lower Maintenance Time and Cost*

The speed and ease of snapping panels into place reduces maintenance time and expense. Draperies stay lovely longer because they are handled less.

Off the track, Ripplefold draperies are perfectly flat. Laundering, cleaning and pressing are simpler, less expensive. Draperies fall into lovely, soft, natural folds when panels are snapped to carriers.

**Choice of Butt-Masters or Overlap-Masters**



Butt-Master



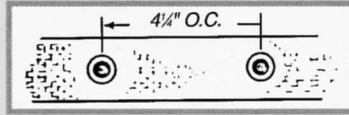
Overlap-Master

**Butt-Masters\*:** Butt together in center for continuous looking flow in drapery folds. Also, best for one-way draws.

\*Cord draw only

**Overlap-Masters:** Overlap in center for complete privacy.

**Nylon Snap Tape**

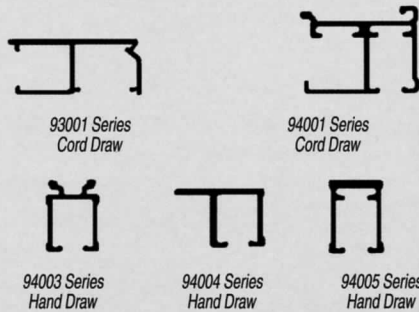


92145-1

Permanently stiffened nylon tape stitches to flat drapery panels. Pre-attached male snaps are spaced 4 1/4" on centers.

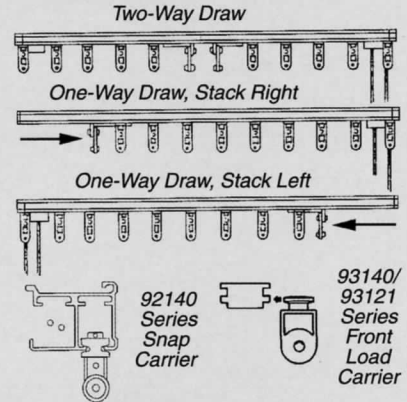
**Track Systems**

Ripplefold can be used on the following track systems:



(When using overlap stiffener for Baton Draw system, use Fabrication Guide F0640005.)

**Draw Systems**



**Carriers**

Choose our standard snap carrier, which is smaller in diameter, producing less stack back, or use the front load carrier for easy installation and removal of draperies.

**How to Order Track Set**

1. Select type of track system
  2. Select type of draw system
  3. Select butt or overlap-masters\*
- \*Butt-master is cord draw only

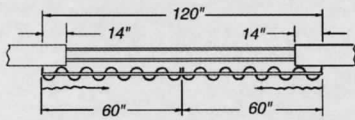
**Carrier Spacing Determines Drapery Fullness and Stackback Width**

<p><b>No. 92140</b>      <b>No. 93140</b></p> <p>1/4" spaced carriers provide 120% drapery fullness.</p>	<p><b>No. 92140</b> Stackback Width</p> <p><b>No. 93140</b> Stackback Width</p> <p>4 1/4" Stackback Depth</p>
<p><b>No. 92141</b>      <b>No. 93141</b></p> <p>2/4" spaced carriers provide 100% drapery fullness.</p>	<p><b>No. 92141</b> Stackback Width</p> <p><b>No. 93141</b> Stackback Width</p> <p>4 1/4" Stackback Depth</p>
<p><b>No. 92142</b>      <b>No. 93142</b></p> <p>2 1/4" spaced carriers provide 80% drapery fullness.</p>	<p><b>No. 92142</b> Stackback Width</p> <p><b>No. 93142</b> Stackback Width</p> <p>4 1/4" Stackback Depth</p>
<p><b>No. 92143</b>      <b>No. 93143</b></p> <p>2 1/2" spaced carriers provide 60% drapery fullness.</p>	<p><b>No. 92143</b> Stackback Width</p> <p><b>No. 93143</b> Stackback Width</p> <p>4 1/4" Stackback Depth</p>

## RIPPLEFOLD® DRAPERY FABRICATION

### Example (Determining Specs)

Treatment will cover an area 120" wide. Desired fullness is 80%. Suggest a Two-Way Draw system, with snap carriers and Butt-Masters.



Panel Coverages

Because this will be a two-way draw track system, there will be two panels. The track length is 120", therefore the coverage area of each panel will be 60".

Using the chart on page 6, locate the column for 80% fullness. Move down the column to the row with your panel coverage measurement. This row contains all required information for this particular treatment: Fabric Width (Hemmed) will be 119", Stackback (per panel, for snap carriers) will be 14". There will be 28 carriers (snaps) and 27 spaces on the snap-tape.

### A. Determine Specifics of Your Treatment

- Decide the following conditions:
  - Width of area treatment will cover (width of track)
  - Desired fullness (60%, 80%, 100% or 120%)
  - One-Way or Two-Way Draw
  - Snap or Front Load Carriers
  - Butt-Masters or Overlap Masters
- Determine the coverage per panel. For a One-Way draw system you will have one panel, therefore the coverage per panel will be equal to the width of your track. For a Two-Way draw system you will have two panels, therefore the coverage per panel will be half the width of your track.
- Follow the chart on page 6. Find the column with your desired fullness, move down the column to the row with your panel coverage measurement. This row gives you the fabric width (hemmed), stackback (per panel), number of carriers and number of full spaces. NOTE: Due to slight manufacturing variations, the total length of snap tape may not exactly match the panel width. Begin with snap tape aligned correctly at master end, allow variation at return end.

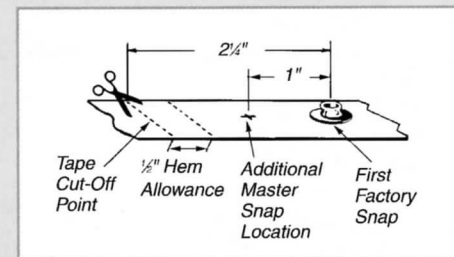
### B. Measure and Cut Snap-tape

- Count off the number of snaps on the tape and mark for cut-off, allowing extra tape for hems as well as for additional master carrier and return snaps (as shown on page 5).
- Follow specific instructions and diagrams for Butt-Masters, overlap-masters and returns on page 5.

NOTE: First factory snap is one of two snaps that will attach to the master carrier. A second master carrier snap must be added, as shown on next page (C). The following measurements for the Butt-Master, Overlap-Master and return allow for 1/2" hem on each end of tape.

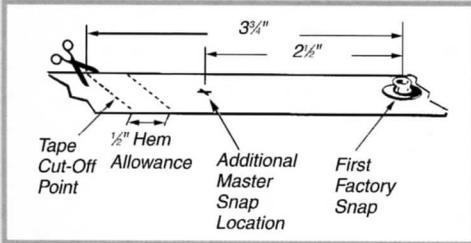
**Butt-Master:** Cut-off tape 2 1/4" before the first factory snap. Make a mark 1" before the first factory snap, this is where the second master snap will be added.

**Butt-Master** tape cut-off and snap positions.

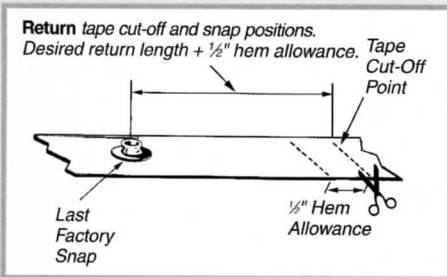


**Overlap-Master:** Cut-off tape  $3\frac{3}{4}$ " before the first factory snap. Make a mark  $2\frac{1}{2}$ " before the first factory snap. This is where the second master snap will be added.

**Overlap-Master tape cut-off and snap positions.**



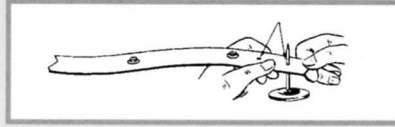
**Return:** Add  $\frac{1}{2}$ " hem allowance to your desired return length. Measure this distance from last factory snap and cut tape here. Use hook to secure return to track.



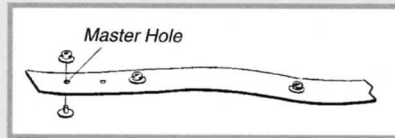
**C. Add Second Master Snap**

1. Pierce tape at the position you have marked.

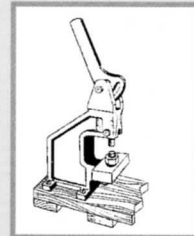
Pierce tape at marked position.



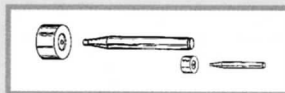
2. Insert eyelet through hole, cover with male snap, and rivet together using No. 92900 bench snap tool or hand tool No. 92901.



Insert eyelet, cover with male snap.



No. 92900 bench snap tool.



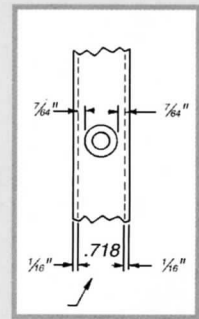
No. 92901 hand tool.

**D. Prepare Panels**

1. Cut and hem panels to required width and desired length.

NOTE: Allow for track clearance plus desired floor clearance. A 1" hem is sufficient for heading; stiffened nylon tape provides adequate support. For additional support for light weight fabrics, buckram can be added.

Spacing for double needle heads should be  $.718$ " or  $\frac{23}{32}$ ".

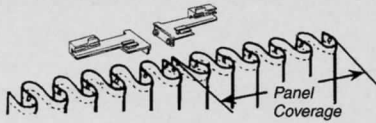


Correct Needle Spacing

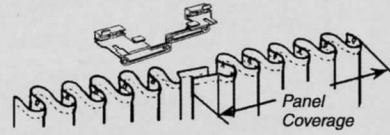
2. Place tape on heading of flat panel. Turn each end of tape under  $\frac{1}{2}$ ". Using a zipper foot, sew heading from master end. Stitch as closely as possible to top of heading to prevent the fabric from coming into contact with track during operation.

3. Panels are now ready for attachment to track set. Beginning with master carrier simply snap panels into carriers.

## Ripplefold® Fabrication Charts



**For Butt-Master  
Carriers**



**For Overlap-  
Master Carriers**

No. of Full Spaces	Fabric Width (Hemmed)	PANEL COVERAGE				Stack Back Widths		No. of Carriers Required
		92140 120% Fullness	92141 100% Fullness	92142 80% Fullness	92143 60% Fullness	Std. Snap Carrier	Front Load Carriers	
7	34	13-13	13-14	13-16	16-18	5 1/2	6	8
9	42 1/2	14-16	15-19	17-21	19-23	6 1/4	7	10
11	51	17-20	20-23	22-26	24-28	7 1/4	8 1/4	12
13	59 1/2	21-24	24-27	27-30	29-34	8	9 1/4	14
15	68	25-28	28-31	31-35	35-39	9	10 3/8	16
17	76 1/2	29-31	32-36	36-40	40-44	9 3/4	11 1/2	18
19	85	32-35	37-40	41-45	45-49	10 1/4	12 1/4	20
21	93 1/2	36-39	41-44	46-49	50-55	11 1/2	13 3/8	22
23	102	40-43	45-48	50-54	56-60	12 1/2	15	24
25	110 1/2	44-46	49-53	55-59	61-65	13 1/2	16 3/8	26
27	119	47-50	54-57	60-64	66-70	14	17 1/2	28
29	127 1/2	51-54	58-61	65-68	71-76	15	18 3/4	30
31	136	55-58	62-65	69-73	77-81	15 3/4	19 3/8	32
33	144 1/2	59-61	66-70	74-78	82-86	16 1/2	21	34
35	153	62-65	71-74	79-83	87-91	17 1/2	22 3/8	36
37	161 1/2	66-69	75-78	84-87	92-97	18 1/4	23 3/4	38
39	170	70-73	79-82	88-92	98-102	19 1/4	24 1/2	40
41	178 1/2	74-76	83-87	93-97	103-107	20	25 5/8	42
43	187	77-80	88-91	98-102	108-112	21	26 3/8	44
45	195	81-84	92-95	103-106	113-118	22	28	46
47	204	85-88	96-99	107-111	119-123	22 3/4	29 1/4	48
49	212 1/2	89-91	100-104	112-116	124-128	23 3/4	30 3/8	50
51	221	92-95	105-108	117-121	129-133	24 1/2	31 1/2	52
53	229 1/2	96-99	109-112	122-125	134-139	25 1/2	32 3/8	54
55	238	100-103	113-116	126-130	140-144	26 1/2	33 3/4	56
57	246 1/2	104-106	117-121	131-135	145-149	27 1/2	35	58
59	255	107-110	122-125	136-140	150-154	28 1/4	36	60
61	263 1/2	111-114	126-129	141-144	155-160	29 1/4	37 1/4	62
63	272	115-118	130-133	145-149	161-165	30	38 1/2	64
65	280 1/2	119-121	134-138	150-154	166-170	31	39 1/2	66
67	289	122-125	139-142	155-159	171-175	32	40 3/4	68
69	297 1/2	126-129	143-146	160-163	176-181	32 3/4	42	70
71	306	130-133	147-150	164-168	182-186	33 3/4	43	72
73	314 1/2	134-136	151-155	169-173	187-191	34 1/2	44 1/4	74
75	323	137-140	156-159	174-178	192-196	35 1/2	45 3/8	76
77	331 1/2	141-144	160-163	179-182		36 1/2	46 1/2	78
79	340	145-148	164-167	183-187		37 1/4	47 1/4	80
81	348 1/2	149-151	168-172	188-192		38 1/4	48 3/8	82
83	357	152-155	173-176	193-197		39	50	84
85	365 1/2	156-159	177-180			40	51 1/4	86
87	374	160-163	181-184			41	52 3/8	88
89	382 1/2	164-166	185-189			41 3/4	53 1/2	90
91	391	167-170	190-193			42 3/4	54 3/8	92
93	399 1/2	171-174				43 1/2	55 3/8	94
95	408	175-178				44 1/2	57	96
97	416 1/2	179-181				45 1/2	58 1/4	98
99	425	182-185				46 1/2	59 3/8	100
101	433 1/2	186-189				47 1/4	60 1/2	102
103	442	190-193				48 1/4	61 3/8	104

No. of Full Spaces	Fabric Width (Hemmed)	PANEL COVERAGE				Stack Back Widths		No. of Carriers Required
		92140 120% Fullness	92141 100% Fullness	92142 80% Fullness	92143 60% Fullness	Std. Snap Carrier	Front Load Carriers	
7	35 1/2	11-14	12-16	14-17	14-19	8	8 3/8	8
9	44	15-18	17-20	18-22	20-24	9	9 1/2	10
11	52 1/2	19-21	21-24	23-27	25-30	9 3/4	10 3/8	12
13	61	22-25	25-28	28-32	31-35	10 1/4	11 1/8	14
15	69 1/2	26-29	29-32	33-36	36-40	11 1/2	13	16
17	78	30-33	33-37	37-41	41-45	12 1/2	14	18
19	86 1/2	34-36	38-41	42-46	46-51	13 1/4	15 1/8	20
21	95	37-40	42-45	47-51	52-56	14 1/4	16 3/8	22
23	103 1/2	41-44	46-50	52-55	57-61	15	17 1/2	24
25	112	45-48	51-54	56-60	62-66	16	18 1/2	26
27	120 1/2	49-51	55-58	61-65	67-72	16 3/4	20	28
29	129	52-55	59-62	66-70	73-77	17 3/4	21	30
31	137 1/2	56-59	63-66	71-74	78-82	18 1/2	22 3/8	32
33	146	60-63	67-71	75-79	83-87	19 1/2	23 3/8	34
35	154 1/2	64-66	72-75	80-84	88-93	20 1/4	24 1/2	36
37	163	67-70	76-79	85-89	94-98	21 1/4	25 1/2	38
39	171 1/2	71-74	80-84	90-93	99-103	22	26 3/4	40
41	180	75-78	85-88	94-98	104-108	22 3/4	28	42
43	188 1/2	79-81	89-92	99-103	109-114	23 1/2	29	44
45	197	82-85	93-96	104-108	115-119	24 1/4	30 3/8	46
47	205 1/2	86-89	97-101	109-112	120-124	25	31 1/4	48
49	214	90-93	102-105	113-117	125-129	25 3/4	32 1/2	50
51	222 1/2	94-96	106-109	118-122	130-135	26 1/2	33 1/2	52
53	231	97-100	110-113	123-127	136-140	27 1/4	34 3/4	54
55	239 1/2	101-104	114-118	128-131	141-145	28 1/4	35 3/8	56
57	248	105-108	119-122	132-136	146-150	29	37	58
59	256 1/2	109-111	123-126	137-141	151-156	30	38 3/8	60
61	265	112-115	127-130	142-146	157-161	31	39 3/4	62
63	273 1/2	116-119	131-136	147-150	162-166	31 3/4	40 1/2	64
65	282	120-123	137-139	151-155	167-171	32 3/4	41 1/2	66
67	290 1/2	124-126	140-143	156-160	172-176	33 1/2	42 3/8	68
69	299	127-130	144-147	161-165	177-182	34 1/2	44	70
71	307 1/2	131-134	148-152	166-169	183-187	35 1/4	45	72
73	316	135-138	153-156	170-174	188-192	36 1/4	46 3/8	74
75	324 1/2	139-141	157-160	175-179		37	47 1/4	76
77	333	142-145	161-164	180-184		38	48 1/2	78
79	341 1/2	146-149	165-168	185-188		39	49 1/2	80
81	350	150-153	169-173	189-193		39 3/4	50 3/4	82
83	358 1/2	154-156	174-177			40 3/4	52	84
85	367	157-160	178-181			41 1/2	53	86
87	375 1/2	161-164	182-186			42 1/2	54	88
89	384	165-168	187-190			43 1/4	55 1/4	90
91	392 1/2	169-171				44 1/4	56 1/2	92
93	401	172-175				45 1/4	57 1/2	94
95	409 1/2	176-179				46	58 3/4	96
97	418	180-183				47	60	98
99	426 1/2	184-186				48	61	100
101	435	187-190				49 1/4	62	102

\*Includes one carrier (button position only) for attachment to master.  
\*\*Add 1" if fabricating for 94001 "Architrac."

(When using overlap stiffener for Baton Draw system, use Fabrication Guide F0640005)